

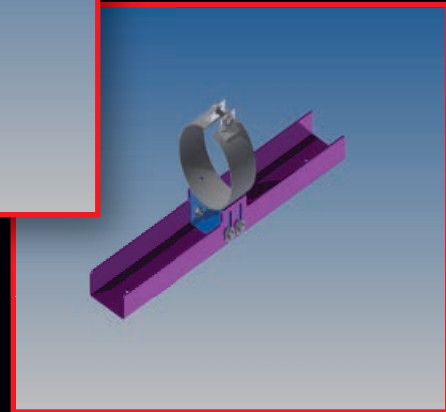
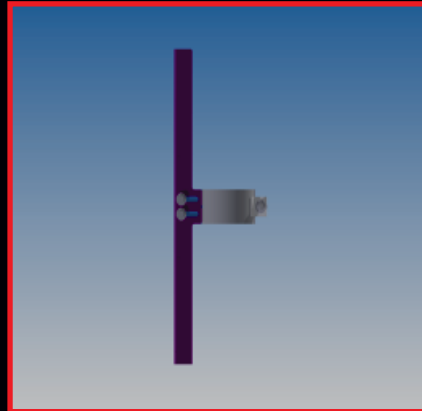
# EQUIPMENT ARMOR



EQUIPMENT ARMOR, INC.

- Simple bolt-on application
- Movable from machine to machine
- Provides adjustable clearance for hydraulic hoses
- Frameless, lighter, 1/2" polycarbonate, stronger than 1/4" in framed system

## Excavator Hydraulic Cylinder Guard



## Equipment Armor Inc.

3331 Heritage Trade Drive  
Suite 108  
Wake Forest, NC 27587

**919-554-6571**

Web Site: [www.equipmentarmor.com](http://www.equipmentarmor.com)

Contact: [tim@equipmentarmor.com](mailto:tim@equipmentarmor.com)

US Patent Pending #62/260,708  
International Patent Pending #PCT/US2016/064077





# WHY EQUIPMENT ARMOR?

- Great visibility/High Optics Polycarbonate - unmatched by other guarding.
- Superior Stopping power – capable of stopping a ½ pound piece of hammer steel at 300 MPH. (UL 752 - Level 1 (9mm) and Level 2 (.357)).
- Easy to replace shield/ No down time on machine - takes less than 30 minutes.
- Hinged shield frame door - allows for easy access to windshield for cleaning.
- Maintains ROPS certification on all machines - bolts directly to existing cab bosses.
- Easily moved from machine to machine regardless of manufacturer, simply change out mounting brackets.
- Easy cleaning with mar-resistant coating simply spray with water.
- Average shield life span of one year plus.



## Equipment Armor, Inc. stocking locations:

### **Raleigh Office:**

3331 Heritage Trade Drive  
Suite 108  
Wake Forest, NC 27587  
**Phone:** 919-554-6571

### **Charlotte Office:**

10806 Reames Road  
Suite V  
Charlotte, NC 28269

### **Richmond Office:**

9830 Atlee Commons Drive  
Suite 222  
Ashland, VA 23005

For additional ordering information please visit our Web Site: [www.equipmentarmor.com](http://www.equipmentarmor.com), or  
Contact: [tim@equipmentarmor.com](mailto:tim@equipmentarmor.com)

Patent Information: US Patent Pending #62/260,708, International Patent Pending #PCT/US2016/064077